

W

AFER BUTTERFLY VALVE

PN 16/25 3"-24" (50-600mm)

medium Face to Face
acc. ISO 5752
Fully vulcanized
Heavy duty

LONG LIFE VALVES



Top flange acc. ISO 5211.

Products

Type	Operation	Disc	Nominal size												
			mm	80	100	150	200	250	300	350	400	450	500	600	
			inches	3"	4"	6"	8"	10"	12"	14"	16"	18"	20"	24"	
001	Gear	Coated Ductile Iron: Nylon 11 (Rilsan)/ Halar (ECTFE) / Enamel		*	*	*	*	*	*	*	*	*	*	*	*
002	Lever			*	*	*	*	*	*	*	*	*	*	*	*
003	Bare shaft			*	*	*	*	*	*	*	*	*	*	*	*
004	Gear	Ductile Iron Rubber lining		*	*	*	*	*	*	*	*	*	*	*	*
005	Lever			*	*	*	*	*	*	*	*	*	*	*	
006	Bare shaft			*	*	*	*	*	*	*	*	*	*	*	
007	Gear	S.S.316 (CF8M)		*	*	*	*	*	*	*	*	*	*	*	*
008	Lever			*	*	*	*	*	*	*	*	*	*	*	
009	Bare shaft			*	*	*	*	*	*	*	*	*	*	*	
010	Gear	Worthite / Duplex		*	*	*	*	*	*	*	*	*	*	*	*
011	Lever			*	*	*	*	*	*	*	*	*	*	*	
012	Bare shaft			*	*	*	*	*	*	*	*	*	*	*	

Flange connection: DIN, BS, ANSI

Lining: NBR, EPDM, BOTYL, HYPALON, VAMAC

Gear Type: A ; AF (*IP65)

* Order example: 102AF Type 004 Botyl DN 300 DIN.

Description

Application

Multipurpose, Bi-Directional Shut off valve.
Working temperature up to NBR+Botyl: 100°C,
Hypalon+EPDM: 120°C, Vamac: 165°C.

Operation by:

Lever, Gear, Pneumatic or Electric Actuator.

Coating

Body: Epoxy 80-250 mic.

Advantages

Liner: Fully vulcanized liner seat.

- Guaranteeing seat stability
- Prevents corrosion between liner and body.
- Eliminates the need of separate gaskets for installation.
- Dry shaft - prevents leakage outside.

Split Shaft:

- Without any pins / bolts pinned on disc.
- Square ends ensures maximum transfer of torque during operation.

Disc:

- Shaped disc - minimize friction losses and providing a drop tight seal.
- Very low head loss.

Material Specification

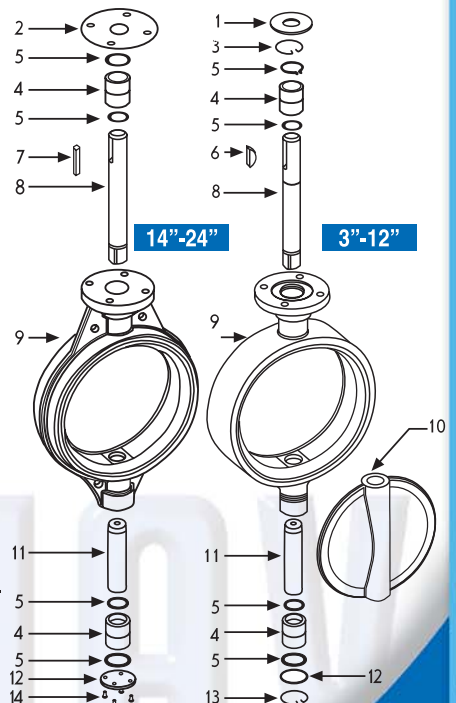
1	Washer	ST 37, Galvanized
2	Round plate	ST 37, Galvanized (14"-24")
3	Retaining Ring	DIN 471
4	Bearing Bush	Bronze C385 / RN
5	O-Ring	NBR
6	Woodruff Key	Steel
7	Key	Long key (14"-24")
8	Shaft-Top	S.S.416 / S.S.316 / Duplex
9	Body 3"-8"	Ductile Iron GGG50 / C.I.GG25
9	Body 10"-24"	Ductile Iron GGG50
10	Disc	D.I. GGG50 / S.S. 316 / Worthite / Duplex
11	Shaft-Bottom	S.S.416 / S.S.316 / Duplex
12	Round Plate	ST 37, Galvanized
13	Retaining Ring	DIN 472
14	Screws	Hex' Head Screw

Body: nodular cast iron.

- Hammering and pressure proof.
- Installed between all kinds of flanges.

Gear: Powerful low ratio gear.

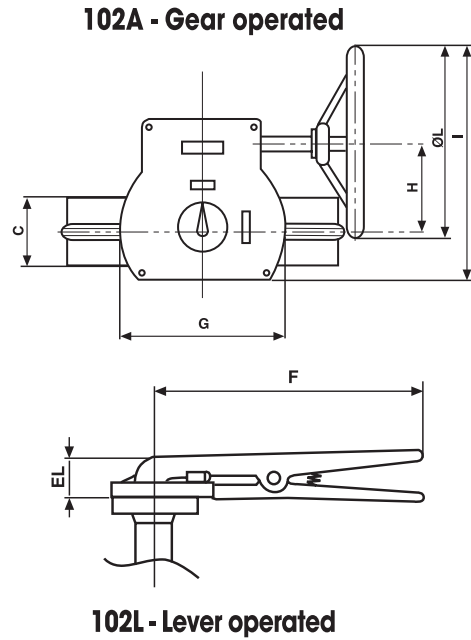
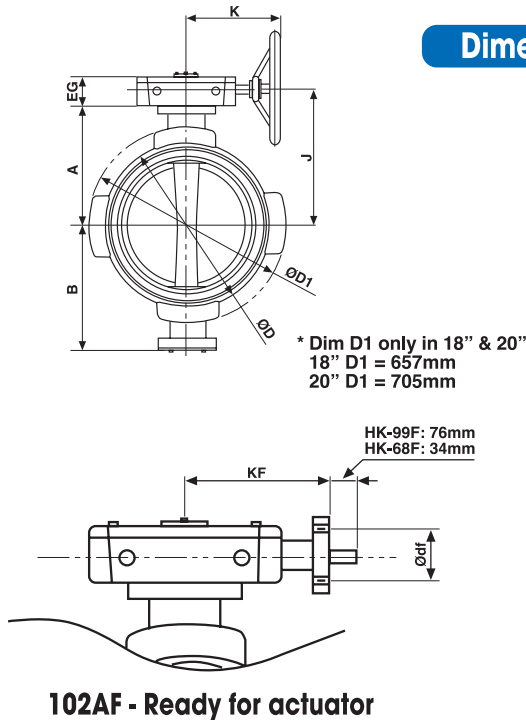
- AF-type - for electric actuator
- Heavy Duty
- Sealing STD. - IP65



Applications for:	Drinking water	Air cooling system	Hot water	Steam	Water treatment	Sewage water	Sea water	Desalination plants	Chemical industry	Food industry	Pulp/Paper industry	Dry air	Gas	Vacuum
	✓	✓	✓	✓	✓	✓	✓	✓	✓	✓	✓	✓	✓	✓

102 WAFER BUTTERFLY VALVE PN16/25

Dimensions (mm)



102 Dimensions Table

	Dimension	DN											
		mm	80	100	150	200	250	300	350	400	450	500	600
		inches	3"	4"	6"	8"	10"	12"	14"	16"	18"	20"	24"
General	A	127	148	173	206.5	231	276	329	374	402	425	493	
	B	107	121	167	203	208	234	309	385	411.5	435	505	
	C	56	58	92	92	93	106	111	125	140	140	162	
	D	127/142	160	217	274	330	382	422/445	496	549	595	704	
102L	EL	37	37	35	55	55	55						
	F	265	265	354	440	440	440						
	[Kg]	5	6.5	17.5	24.5	39.5	49.5						
102A	EG	53	53	83	83	83	83	94	94	94	94	94	
	G	100	100	201	201	201	201	330	330	330	330	330	
	H	50	50	100	100	100	100	166	166	166	166	166	
	I	167	167	272	272	272	272	423	423	423	566	566	
	J	155	176	218	235	260	304.5	379	424	452	475	543	
	K	122	122	245	245	245	245	275	275	275	420	420	
	L	140	140	215	215	215	215	315	315	315	600	600	
[Kg]	6.5	8.5	28.5	35.5	48.5	58.5	105	129	170	198	244		
102AF	KF	—	—	145	145	145	145	190	190	190	190	190	
	dF	—	—	F10	F10	F10	F10	F14	F14	F14	F14	F14	
Bare shaft	[Kg]	4.5	6	15.5	22.5	35.5	45.5	74	98	142	161	208	
Top Flange		F07	F07	F10	F10	F10	F10	According to ISO 5211					

Dimensions and weight can be changed without notification.